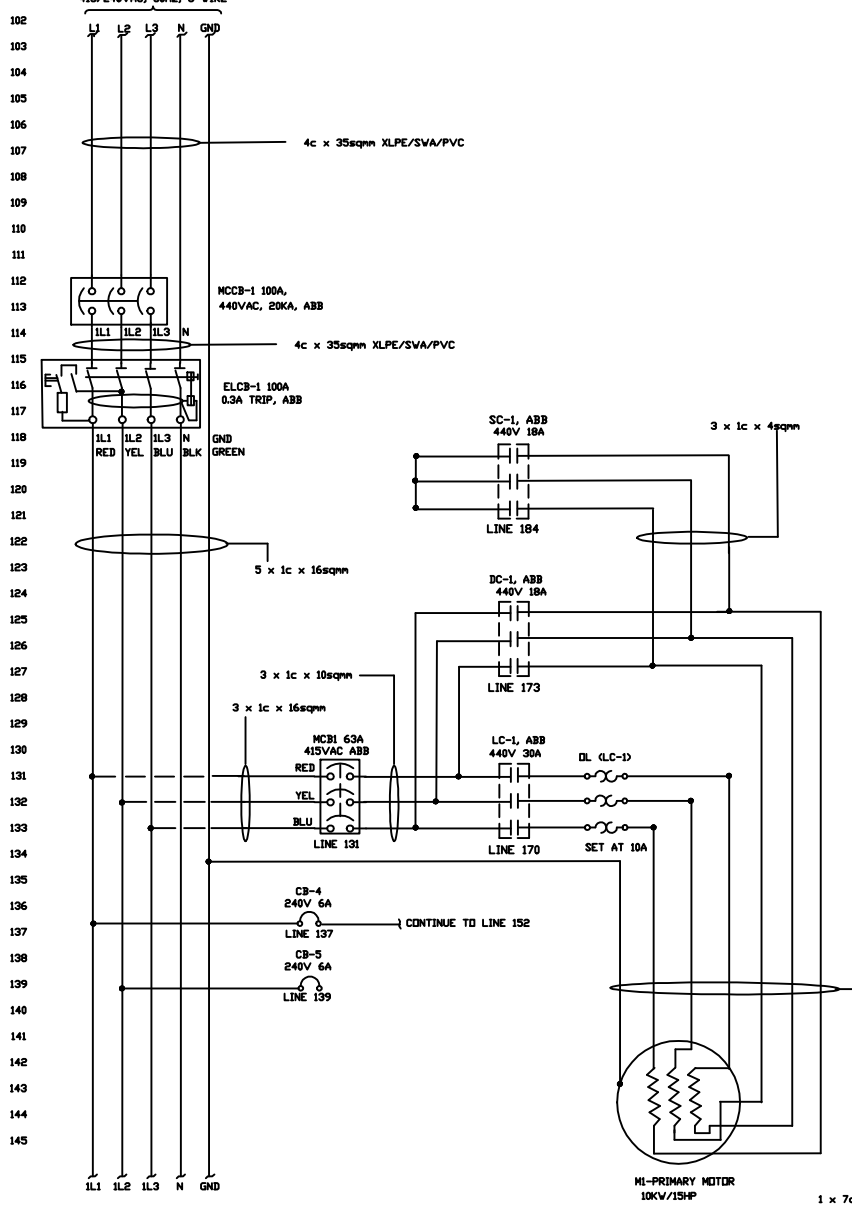


FEED From Chiller Junction Panel  
415/240VAC, 30Hz, 5-WIRE

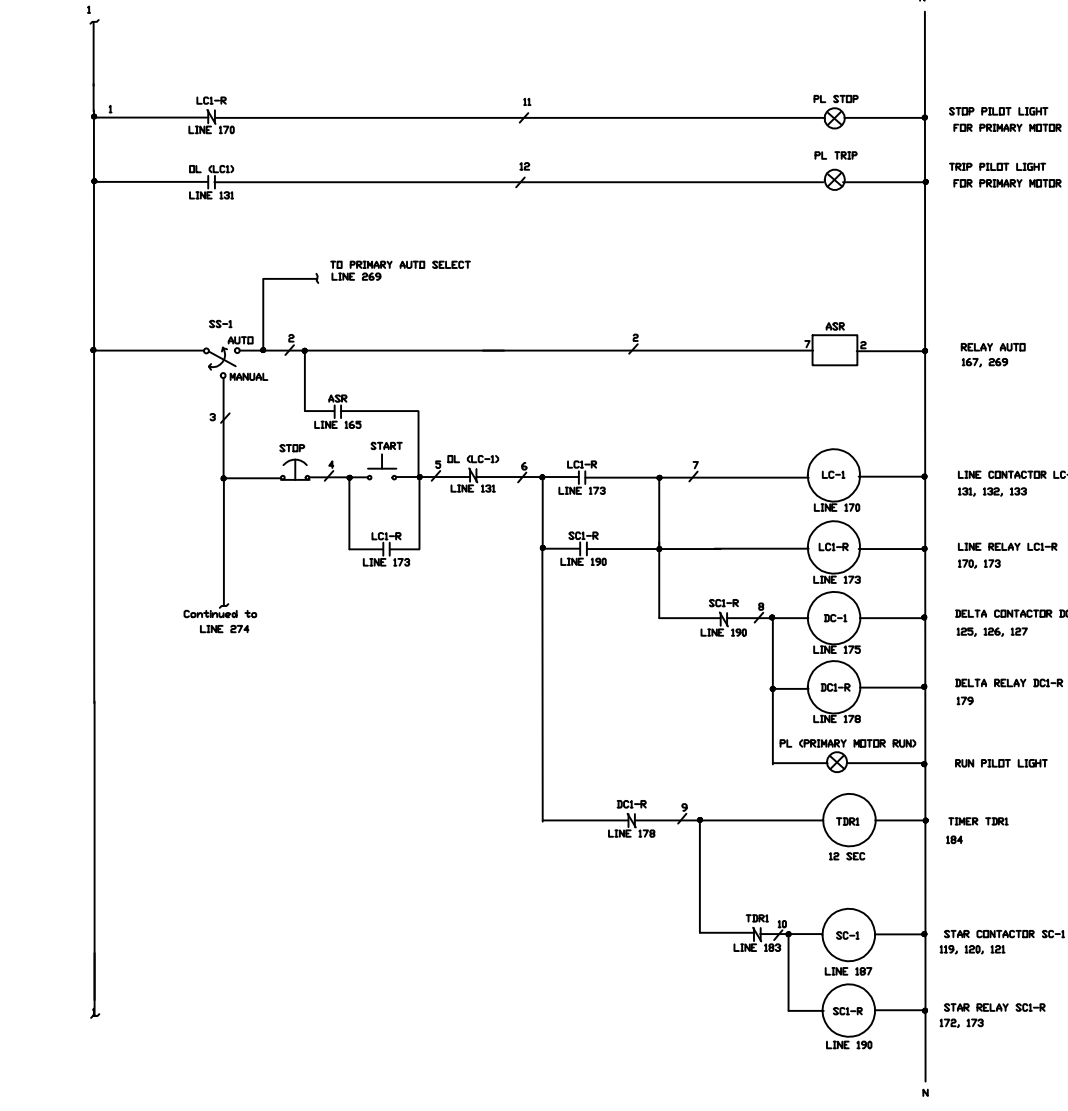


CONTINUED TO  
LINE 200

MI-PRIMARY MOTOR  
10KV/15HP

1 x 7c x 6sqmm XLPE/SVA/PVC  
in Metal Conduit pipe

FEED FROM CB-5 LINE 139



Continued to  
LINE 274

FEED FROM NEUTRAL LINE 145